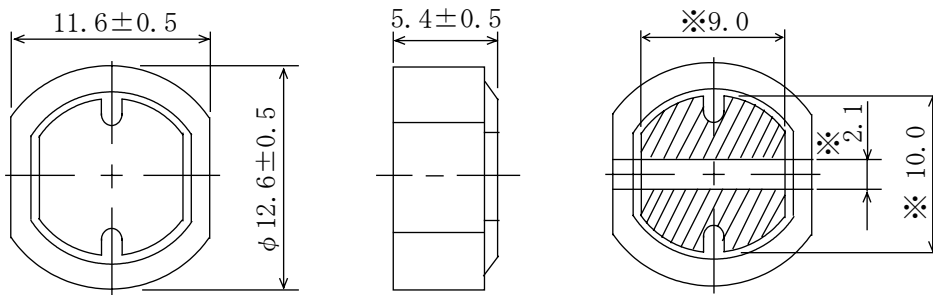
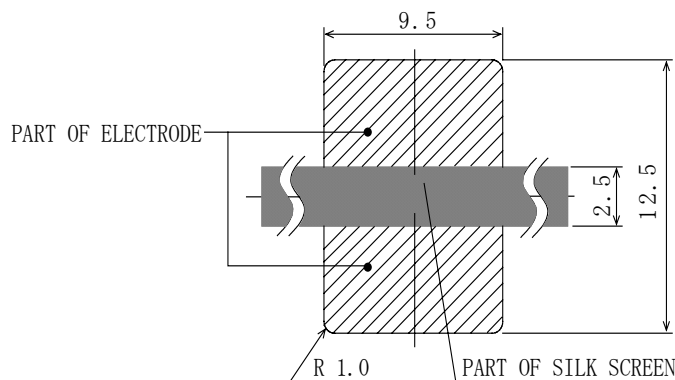


**Type: CDR125**
**◆ Product Description**

- 13.1 × 12.1mm Max.(L×W), 5.9mm Max. Height.
- Inductance Range: 10~820 μ H
- Rated current range: 0.36~2.65A
- In addition to the standards versions shown here, custom inductors are also available to meet your exact requirements.


**◆ Feature**

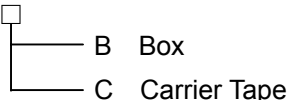
- Magnetically shielded construction.
- Ideally used in Notebook PC ,LCD TV ,Game machine ,HDD,DSC/DVC, etc as DC-DC Converter inductors.
- RoHS Compliance.

**◆ Dimensions (mm)**

**◆ Land Pattern (mm)**


**Type: CDR125**
**◆ Specification**

PART NAME	STAMP	INDUCTANCE [Within] ( $\mu$ H) ※ 1	D.C.R.( $\Omega$ ) [Max.] (at 20°C)	Rated Current(A) ※2	S.R.F. (MHz)[Typ.]
CDR125NP-100M□	100M	10 $\mu$ H $\pm$ 20%	0.05	2.65	24.2
CDR125NP-120M□	120M	12 $\mu$ H $\pm$ 20%	0.05	2.50	21.2
CDR125NP-150M□	150M	15 $\mu$ H $\pm$ 20%	0.06	2.45	18.9
CDR125NP-180M□	180M	18 $\mu$ H $\pm$ 20%	0.06	2.40	16.1
CDR125NP-220M□	220M	22 $\mu$ H +20% / -15%	0.07	2.20	15.2
CDR125NP-270M□	270M	27 $\mu$ H +20% / -15%	0.08	2.00	13.9
CDR125NP-330M□	330M	33 $\mu$ H +20% / -15%	0.10	1.80	12.8
CDR125NP-390M□	390M	39 $\mu$ H +20% / -15%	0.11	1.65	11.6
CDR125NP-470M□	470M	47 $\mu$ H +20% / -15%	0.12	1.50	10.4
CDR125NP-560M□	560M	56 $\mu$ H +20% / -15%	0.15	1.38	9.12
CDR125NP-680M□	680M	68 $\mu$ H +20% / -15%	0.17	1.26	8.50
CDR125NP-820M□	820M	82 $\mu$ H +20% / -15%	0.20	1.14	7.85
CDR125NP-101M□	101M	100 $\mu$ H +20% / -15%	0.25	1.05	6.92
CDR125NP-121M□	121M	120 $\mu$ H +20% / -15%	0.28	0.95	6.34
CDR125NP-151M□	151M	150 $\mu$ H +20% / -15%	0.40	0.85	5.55
CDR125NP-181M□	181M	180 $\mu$ H +20% / -15%	0.48	0.77	5.10
CDR125NP-221M□	221M	220 $\mu$ H +20% / -15%	0.52	0.70	4.51
CDR125NP-271M□	271M	270 $\mu$ H +20% / -15%	0.70	0.63	4.37
CDR125NP-331M□	331M	330 $\mu$ H +20% / -15%	0.80	0.57	3.90
CDR125NP-391M□	391M	390 $\mu$ H +20% / -15%	1.08	0.52	3.55
CDR125NP-471M□	471M	470 $\mu$ H +20% / -15%	1.20	0.48	3.25
CDR125NP-561M□	561M	560 $\mu$ H +20% / -15%	1.34	0.44	2.94
CDR125NP-681M□	681M	680 $\mu$ H +20% / -15%	1.78	0.40	2.64
CDR125NP-821M□	821M	820 $\mu$ H +20% / -15%	2.00	0.36	2.42

**※ Description of part name**

CDR125NP-100M□  


※1: Measuring frequency

10  $\mu$  H ~ 82  $\mu$  H ; at 2.52 MHz  
 100  $\mu$  H ~ 820  $\mu$  H ; at 1 kHz

※2: Rated current: The D.C. current at which the inductance decreases to 75%(10  $\mu$  H~18  $\mu$  H) and 80% (22  $\mu$  H~820  $\mu$  H) of it's initial value or when  $\Delta t=40^{\circ}\text{C}$ , whichever is lower( $T_a=20^{\circ}\text{C}$ ).